

Second Sunday in Ordinary Time
January 18, 2009

Preaching Next Week:

Fr. Steve Rowan

Third Sunday in Ordinary Time

Readings for next Sunday

FIRST READING: JONAH 3:1-5, 10

SECOND READING: 1 COR 7:29-31

GOSPEL: MARK 1:14-20

Weekend Mass Schedule

Saturday - 5 p.m.

Sunday - 9 a.m., 11 a.m., 5:30 p.m.

Weekday Mass Schedule

Monday - Friday - 7:00 a.m.

Reconciliation

Saturday - 3:30-4:15 p.m. in the Loyola Room of
Parish Center or by appointment

Parish Center Hours

Monday-Friday - 8 a.m. - 4:30 p.m.

Saturday - 9 a.m. - 1 p.m.

www.stjosephparish.org

732 18th Avenue East, Seattle, WA 98112

Fax: (206) 329-5698

Parish Receptionist 324-2522

Parish Staff

(206) 329-5981

Pastor

Rev. Christopher Weekly, S.J. x107

Assisting Priest

Rev. Michael Bayard, S.J.

Deacon/Pastoral Associate

Steve Wodzanowski x106

Pastoral Staff:

Renée Leet, Administrative Assistant x100

Bob McCaffery-Lent, Music & Liturgy x109

Greg McNabb, Administration x108

Anne Moran, Administrative Assistant x116

Dottie Farewell, Middle School Youth x112

Randy Novak, High School Youth x114

Donna Thornes, Communications x101

Tara Young-Brown, Community Outreach x111

Dennis Gentele, Facilities x110

St. Joseph School

700 18th Avenue East • (206) 329-3260

Main Office x210

George Hofbauer, Principal x213

Rick Boyle, Academic Vice Principal x215

Sheryl Sperry, Student Vice Principal x218

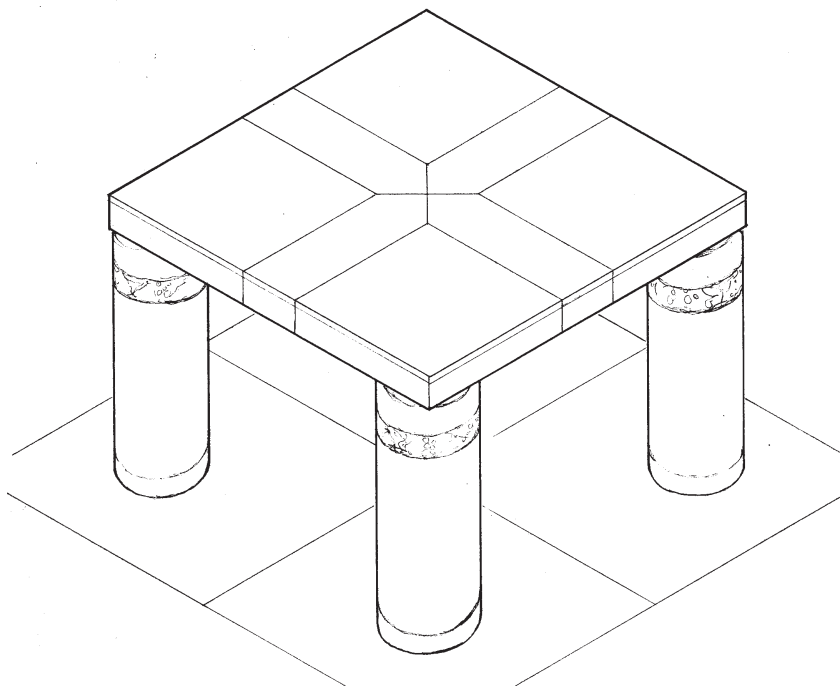
Donna Ramos, Associate Vice Principal x105

Blessing of the New Altar

Saturday, January 31

5 p.m. Vigil Mass

Celebrated by Archbishop Alex J. Brunett



All Whose Faith Had Drawn

Them Together... Acts 2:44-45

Come bless our new altar.

Enjoy the beauty of this mass - rich in tradition.

Reception to follow in the Social Hall.

Calendar

Sunday, January 18	Sister Parish Meeting 4 pm
Monday, January 19	Martin Luther King, Jr.'s Birthday Parish Center Closed
Tuesday, January 20	RCIA 7 pm
Wednesday, January 21	Women's Spirituality Group 10 am Pathfinders 6 pm The VOICE 7 pm
Friday, January 23	Seniors Playing Rummikub 1pm
Sunday, January 25	Catholic Schools Week School Open House after 9 am Mass
Monday, January 26	Blood Drive 1-4 and 5-7 pm

Note: Daily mass will continue in the Arrupe Room and the Blessed Sacrament will be reserved in the Loyola Room (the old rectory chapel) both located in the Parish Center.

Parish Directory

Please take the time to submit your photo for our 2009 Parish Directory!



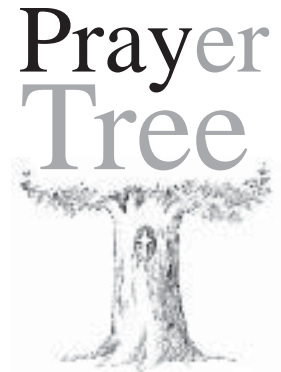
Either upload the photo to our parish website: www.stjosephparish.org

(OR) Bring photo to Parish Center to be scanned. For all scanned photos you will need to fill out a contact information sheet.

Submission deadline is Wednesday, January 28.

Questions? Call Deacon Steve Wodzanowski at 329-5981 x106 or steve@stjosephparish.org

St. Joseph Community extends its prayers and hopes for the following intentions: For a friend's successful breast cancer surgery . . . For Sue to be comfortable and at peace in her surroundings . . . For the healing of David's joint pain in his foot . . . Thanksgiving that Mike's heart surgery went well . . . For our newly elected president's wisdom in governing . . . For all those who are experiencing financial challenges . . . Gratitude for the newborn baby.



"This I recall to my mind, therefore I have hope. The Lord's lovingkindness indeed never ceases, for his compassions never fails. They are new every morning; so great is Your faithfulness." Lamentations 3:21-23

If you are interested in having someone placed on the prayer tree, please contact Renée Leet at 324-2522 or rleet@stjosephparish.org

Attention All Donors!

First Blood Drive of the year - **Monday, January 26!** Register today after Mass or next weekend. If not able to sign up for a specific time, walk-ins are always welcome. So, come join us and remember, **Give Blood, Get Cookies!** Arrupe Room, 1 to 3:30 and 4:30 to 7 p.m. See you there!

SENIORS ON THE GO

Seniors Playing Rummikub

Interested players please join our game every Friday at 1 p.m. in the Xavier Room of the Parish Center. Please bring a snack to share.

Seniors next outing is Tuesday, February 17, at noon to the **FRYE Museum**. Call Renee to reserve a seat on the bus!

JUSTICE

Advocacy for this Week: Economic Recovery

Ask Your Member of Congress to Support Economic Recovery For All

Across this country, Catholic Charities agencies meet the needs of almost 8 million people (1 in every 10 persons living in poverty in this country). Over recent months, we have experienced an increase in the number of people coming to us for nutrition, housing and direct financial assistance services.

Providing help to low-income families, those most likely to spend these resources in the short-term, is an efficient and effective way to boost our faltering economy. I pray that you will take the first step in making a national commitment to not only help those impacted by this recent economic downturn, but also to provide long-term solutions for people who have been living in poverty.

As a provider of social services to those that struggle to make ends meet, I urge you to support an economic recovery plan that includes the following provisions:

- Temporarily increasing supplemental nutrition assistance program (SNAP) benefits, providing an immediate boost to the economy by placing resources in the hands of those who will utilize them quickly. For every SNAP dollar spent, the economy receives a boost of \$1.73;
- Protecting low-income families from losing Medicaid and social service assistance by temporarily increasing the Federal Medical Assistance Percentages payments. Providing additional funding and grants to states and local governments for social service programs will help ensure the safety net remains strong;
- Measures to reduce homelessness and keep families in their homes. The current recession is caused partially by the foreclosure crisis in the housing market. Congress must include measures in the economic recovery package to protect homeowners and reduce homelessness. These measures should include resources to capitalize the National Housing Trust Fund; provide new housing vouchers in the Section 8 program, and additional funds to the Emergency Shelter Grant to prevent low income households from becoming homeless;

Make a call to Senator (D-Washington) Patty Murray's Office:(202) 224-2621 District Phone: (206) 553-5545

Make a call to Senator (D-Washington) Maria E. Cantwell's Office: (202) 224-3441 District Phone: (206) 220-6400

Make a call to Rep. (D-Washington District 7) Jim McDermott's Office: (202) 225-3106 District Phone: (206) 553-7170

Northwest Catholic Women's Convocation IV

May 1-2, 2009

Meydenbauer Center, Bellevue WA

Please register early.

For more information: 206-223-1138 or www.IPJC.org

Intercommunity Peace & Justice Center



Sister Parish Ministry

Next Sr. Parish Committee meeting Sunday, January 18, at 4 p.m. in the Parish Center. We are in the preliminary planning stage for this summer's delegation to El Salvador. Keep reading the bulletin for more information.

Catholic Advocacy Day

Tuesday, February 24

9 a.m. to 3 p.m.

Olympia, WA

To register:

Contact Intercommunity Peace & Justice Center at www.IPJC.org or 206-223-1138 before Friday, January 23.

COMMUNITY

News Bulletin: PATHFINDERS RETURN—

lots of youth spotted Wednesday night in Social Hall...(laughing and having fun?!)

That's right! 6th, 7th, & 8th graders were spotted last Wednesday night playing games, eating pizza...and laughing. If you are in middle school, you may want to check out what's happening on Wednesday nights from 6-7:30pm in the Parish Social Hall. You are not too late—we need *you.*

Cookies and Connections

This Wednesday, January 21st, bring (or walk in with) another person and earn yourself (and your amiga or amigo) a freshly baked cookie! We meet from 6-7:30pm in the Parish Social Hall: more games, Making Our Impression and perhaps some laughing are in store.

Registration forms may be found on our website or through Dottie Farewell at dfarewell@stjosephparish.org
See you soon!

CYO 5th-8th Grade Girls Volleyball

Registration for girls in the 5th-8th grades has begun. Consent forms can be downloaded from the school website www.stjosephsea.org. Please complete the form and return to the school's main office. The fee is \$50. The deadline to register is Tuesday, January 20. If you have any questions, please contact Meg Wolfe at mtwolfe@stjosephsea.org.

CYO 8th Grade Boys Volleyball Registration has begun for 8th grade boys interested in joining the 8th grade boys volleyball team. This will be the first year St. Joseph has started boys' volleyball and we are beginning with 8th grade. The schedule will conflict with Pony League baseball but will not interfere with CYO baseball. If you have questions, please contact Meg Wolge at mtwolfe@stjosephsea.org.

Parish Goes Green

After a weekend retreat the committee that has been doing the composting and recycling now has a name and mission statement. We thank the St. Joe's community for all your work caring for our earth and are excited about all of the new ways we will continue to grow green.

Eco-Justice Ministry

Celebrating the sacredness and interconnectedness of creation, we nurture deepening spiritual and ecological consciences through prayer, education and action that serve a sustainable Earth community.

Tree Health/ Pruning

After a month of wild weather, we need to address growing concerns regarding our landscaping. The two patriarchs of our campus have not stood up well so far this winter. I am referring to the two Cyprus Cedars that stand between the Church and Parish Center. In the last few weeks we have lost several large limbs. We called in an arborist three years ago when the northern tree lost one third of its branches – narrowly missing the parish bus loaded with teens. They thinned the tree and wired several trunks together. This seemed to help until this winter. I have asked that we once again consult with arborists to measure the health of these trees. It might be time to consider replacing these trees with younger plants that will stay a more modest size. As we progress through this winter, we will keep you informed of the deliberations.

Yoga Classes

Led by parishioner and former Jesuit volunteer, Erin Daly, in the Mother Teresa Room of the Parish Center on Tuesday mornings from 7 to 8:15 a.m. and Thursday mornings (kids welcome) from 10:30 to 11:45 a.m. Class length of one hour followed by 15 minutes of meditation. \$10 per class. Partial scholarships available. Please contact Steve Wodzanowski at 329-5981 x106 or stevew@stjosephparish.org

Women's Spirituality Group

The Winter Session begins Wednesday, January 14, at 9:30 a.m. The purpose of the St. Joseph's Women's Spirituality group (WSG) is to look at new ways to inspire, encourage, and affirm each other. Through the process of personal and spiritual growth, women will have the opportunity to clarify their values, claim their own gifts, and bring these new strengths to their family, relationships and the Christian community. First session will be presented by Kathleen Pape on Roles & Expectations for Modern Women - How to balance without shattering ourselves. If you have questions or concerns, please contact Giselle Pavlovec at 329.7122 or via e-mail gisellepavlovec@msn.com or Tracy Janney (janney@mac.com).

Peace Days for Women, "Prayer and Poetry"

Led by Carmel Little, CSJP. Wednesday, January 21, from 9:30 a.m. - 2:00 p.m. at St. Mary-on-the-Lake Free-will offering. Bring a sack lunch, beverage provided. To register or for more information contact Carmel Little, CSJP 425-454-7909 or e-mail clittle@csjp-olp.org.