

Third Sunday in Ordinary Time
January 25, 2009

Preaching Next Week:

Aux. Bishop Joseph J. Tyson (Sat.)
Fr. Mike Bayard, S.J. (Sun.)

Fourth Sunday in Ordinary Time

Readings for next Sunday

FIRST READING: DEU 18:15-20
SECOND READING: 1 COR 7:32-35
GOSPEL: MARK 1:21-28

Weekend Mass Schedule

Saturday - 5 p.m.
Sunday - 9 a.m., 11 a.m., 5:30 p.m.

Weekday Mass Schedule

Monday - Friday - 7:00 a.m.

Reconciliation

Saturday - 3:30-4:15 p.m. in the Loyola Room of
Parish Center or by appointment

Parish Center Hours

Monday-Friday - 8 a.m.- 4:30 p.m.
Saturday - 9 a.m.-1 p.m.

www.stjosephparish.org

732 18th Avenue East, Seattle, WA 98112
Fax: (206) 329-5698
Parish Receptionist 324-2522

Parish Staff

(206) 329-5981

Pastor

Rev. Christopher Weekly, S.J. x107

Assisting Priest

Rev. Michael Bayard, S.J.

Deacon/Pastoral Associate

Steve Wodzanowski x106

Pastoral Staff:

Renée Leet, Administrative Assistant x100

Bob McCaffery-Lent, Music & Liturgy x109

Greg McNabb, Administration x108

Anne Moran, Administrative Assistant x116

Dottie Farewell, Middle School Youth x112

Randy Novak, High School Youth x114

Donna Thornes, Communications x101

Tara Young-Brown, Community Outreach x111

Dennis Gentele, Facilities x110

St. Joseph School

700 18th Avenue East • (206) 329-3260

Main Office x210

George Hofbauer, Principal x213

Rick Boyle, Academic Vice Principal x215

Sheryl Sperry, Student Vice Principal x218

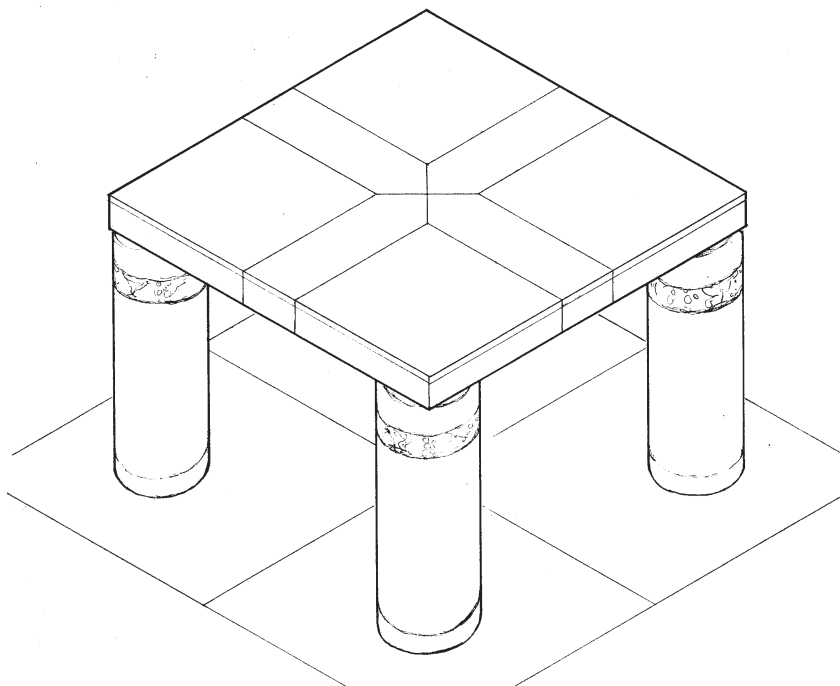
Donna Ramos, Associate Vice Principal x105

Blessing of the New Altar

Saturday, January 31

5 p.m. Vigil Mass

Celebrated by Auxiliary Bishop Joseph J. Tyson



All Whose Faith Had Drawn

Them Together... Acts 2:44-45

Come bless our new altar.

Enjoy the beauty of this mass - rich in tradition.

Reception to follow in Parish Center.

Calendar

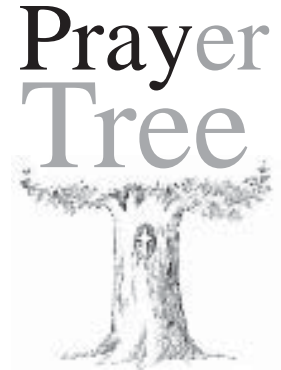
Sunday, January 25	Catholic Schools Week School Open House after 9 am Mass Blood Drive 1-3:30 and 3:45-7 pm
Monday, January 26	RCIA 7 pm
Tuesday, January 27	Women's Spirituality Group 10 am Pathfinders 6 pm The VOICE 7 pm
Wednesday, January 28	Seniors Playing Rummikub 1pm Blessing of the New Altar 5 pm
Friday, January 30	
Saturday, January 31	

Note: Daily mass will continue in the Arrupe Room and the Blessed Sacrament will be reserved in the Loyola Room (the old rectory chapel) both located in the Parish Center.

St. Joseph Community extends its prayers and hopes for the following intentions: For Sr. Marie Colorossi's recovery after surgery . . . For Cindy's mom to grow in strength after recent hospitalization . . . For David's health to be better and for his stamina to return . . . Thanksgiving that a husband has improved and is out of hospice.

"I pour out my worry in his presence . . . I unfold my troubles . . . listen to my call . . . that I may praise your name." Ps. 142.

If you are interested in having someone placed on the prayer tree, please contact Renée Leet at 324-2522 or rleet@stjosephparish.org



Parish Directory

Please take the time to submit your photo for our 2009 Parish Directory!



Either upload the photo to our parish website: www.stjosephparish.org

(OR) Bring photo to Parish Center to be scanned. For all scanned photos you will need to fill out a contact information sheet.

Submission deadline is Wednesday, January 28.

Questions? Call Deacon Steve Wodzanowski at 329-5981 x106 or steve@stjosephparish.org

Don't Forget - Blood Drive Monday, January 26, 1-7 p.m.

Please note, break is from 3 - 3:45 p.m. Looking forward to seeing many donors - regulars, first timers, those with appointments and those who will walk in. *All blood types needed - remember, you have it in you!*

Needed - Childcare Provider

We are looking for childcare help. Paid position. Must be over age 18. Contact Dottie Farewell at 329-5981 x112 or dfarewell@stjosephparish.org

SENIORS ON THE GO

Seniors Playing Rummikub

Interested players please join our game every Friday at 1 p.m. in the Xavier Room of the Parish Center. Please bring a snack to share.

Seniors next outing is Tuesday, February 17, at noon to the **FRYE Museum**. Call Renee at 324-2522 x100 to reserve a seat on the bus!

Advocacy for this Week: Serving the Most Vulnerable

Our current legislative session, which opened last week, promises to be an especially challenging one. Due to the economic downturn, state legislators will be looking at a budget shortfall projected to be at least \$5 billion. Cities and counties are also facing budget shortfalls. In this time of budget cuts, **Catholic Community Services (CCS)** and the **Archdiocesan Housing Authority (AHA)** will be working with legislators and other decision makers to minimize the impact of the cuts on the most poor and vulnerable in our communities.

As you know, Catholic Charities USA is one of the national partners with **JustFaith**, and CCS/AHA is the local (but legally separate) agency. CCS & AHA leadership has requested that local JustFaith graduates be invited to sign up for their advocacy network. With your permission, and only with your emailed permission, the Missions Office will provide CCS/AHA with your contact information (as received from the national JustFaith office) so you can receive legislative action alerts and advocacy requests directly from CCS & AHA. This will provide one direct and accessible method to stand in solidarity with the poor and vulnerable in Washington State.

If you want to receive email alerts from CCS and/AHA. Simply email the missions office and they will add you to the mailing. missionsoffice@seattlearch.org Once your contact information is shared you will be subscribed to the CCS/AHA Action Alerts. Should you decide that you do not want to continue to receive messages from CCS/AHA, their system will allow you to unsubscribe. CCS/AHA will not use or share your address for any other purpose.

We appreciate your consideration of this opportunity to work with CCS/AHA!

Missions Office staff (liaison to JustFaith Ministries)
Archdiocese of Seattle
710 9th Ave
Seattle WA 98104
(206) 382-4580; (800) 869-7028

“We are called in a special way to serve the poor and vulnerable; to build bridges of solidarity among peoples of differing races and nations, language and ability, gender and culture.” – US Catholic Bishops, Communities of Salt and Light

Northwest Catholic Women's Convocation IV

May 1-2, 2009

Meydenbauer Center, Bellevue WA

Please register early.

For more information: 206-223-1138 or www.IPJC.org
Intercommunity Peace & Justice Center



Parish Goes Green

Facilitated by Eco-Justice Ministry

Celebrating the sacredness and interconnectedness of creation, we nurture deepening spiritual and ecological consciences through prayer, education and action that serve a sustainable Earth community.

We are all familiar with the Three R's of caring for the earth **Reduce, Reuse, and Recycle**. Well here are 3 more to consider when celebrating at events at our St. Joes community:

RECALL that Ecotainer cups, napkins, and corn utensils in addition to food waste are all compostable.

We **REQUEST**, if you bring in your own goods you bring in Chinex plates, plain napkins, and utensils and cups that are purchased from Cedar Grove <http://www.cedar-grove.com>. **Please note not everything that claims to be recyclable is ...

Use **REAL** non-disposable utensils, plates, cups and linens whenever possible.

Thank you for the great job everyone is doing!

Seeking Singers!

The St. Joseph Music Ministry is seeking additional singers and is conducting auditions for the Lent and Easter choir during the next two weeks. We gladly welcome trained singers though this is not a requirement...all that is required is that you can sing in tune, have a pleasant voice, have a desire to share that voice in music ministry and can commit to regular Wednesday evening rehearsals. Please contact Director of Music Ministries, Bob McCaffery-Lent, at 329-5981 x109 or Rmclent@stjosephparish.org for more information or to schedule a time.

CYO Baseball Registration

Registration has begun for 5th -8th Grade Boys' Baseball. Consent forms can be downloaded from school website at www.stjosephsea.org under CYO. Registration fee is \$55. Please complete consent form and return it to the school's main office. The deadline to register is Friday, February 6, 2009.

If you have any questions please contact Marisa Spooner-LeDuff, the baseball coordinator, at marisalsl@msn.com

First Friday Worship

COME ONE, COME ALL! February's Friday Worship will be led by Cathy Murray and Vince Herberholt, in what will be a special gathering.

We invite all of you to come to this parishioner led, informal prayer service followed by a potluck dinner. The intent of First Friday Worship is to create an uplifting, inclusive service that reflects one table and the one body of Christ. By offering our laity a chance to lead and share and reflect, we hope to deepen and strengthen our relationships, draw out our many gifts as a community and nourish each other as we strive to bring about the reign of God.

The Worship will be held on Friday, February 13, and will begin promptly at 6:30 p.m. in the church. There will be a potluck immediately following in the Arrupe Room of the Parish Center. We ask that you bring either a main dish, salad or dessert and whatever you wish to drink.

Contact: Don Manning at 726-0599, donmanning@mac.com or Kelly Keydel at 325-3735, kellykeydel@mindspring.com

Our Lady of Lourdes 101st Anniversary

Come join us on Wednesday, February 11, in the Catholic Newman Center (4502 20th Avenue NE, Seattle) for this inspirational afternoon!

12 noon - Rosary

12:30 p.m. Mass

1:45 p.m. - Buffet Lunch and movie *The Song of Bernadette* (winner of 4 Academy Awards)

Questions? Call Judy at 527-5072

Tree Health/ Pruning

After a month of wild weather, we need to address growing concerns regarding our landscaping. The two patriarchs of our campus have not stood up well so far this winter. I am referring to the two Cyprus Cedars that stand between the Church and Parish Center. In the last few weeks we have lost several large limbs. We called in an arborist three years ago when the northern tree lost one third of its branches – narrowly missing the parish bus loaded with teens. They thinned the tree and wired several trunks together. This seemed to help until this winter. We have once again consulted with arborists to measure the health of these trees. It might be time to consider replacing these trees with younger plants that will stay a more modest size. As we progress through this winter, we will keep you informed of the deliberations.

Yoga Classes

Led by parishioner and former Jesuit volunteer, Erin Daly, in the Mother Teresa Room of the Parish Center on Tuesday mornings from 7 to 8:15 a.m. and Thursday mornings (kids welcome for this session) from 10:30 to 11:45 a.m. Class length of one hour followed by 15 minutes of meditation. \$10 per class. Partial scholarships available. Please contact Steve Wodzanowski at 329-5981 x106 or stevew@stjosephparish.org

Women's Spirituality Group

Wednesdays at 9:30 a.m. in the Parish Center. The purpose of the St. Joseph's Women's Spirituality group (WSG) is to look at new ways to inspire, encourage, and affirm each other. Through the process of personal and spiritual growth, women will have the opportunity to clarify their values, claim their own gifts, and bring these new strengths to their family, relationships and the Christian community. Come to one or all sessions that interest you. The schedule can be found online at www.stjosephparish.org under news/events. If you have questions or concerns, please contact Giselle Pavlovec at 329.7122 or via e-mail gisellepavlovec@msn.com or Tracy Janney (janney@mac.com).

Pathfinders

Pathfinders will meet this Wednesday, from 6-7:30 p.m. in the Social Hall, for Creating Space AND "Show and Tell with a Twist!" Bring an object (no valuables and it must be portable) and participate in a slightly different form of this kindergarten classic! To register or for questions contact Dottie Farewell at 329-5981 ex 112 or dfarewell@stjosephparish.org